

TekSpan® Zynox 45 Baseplate

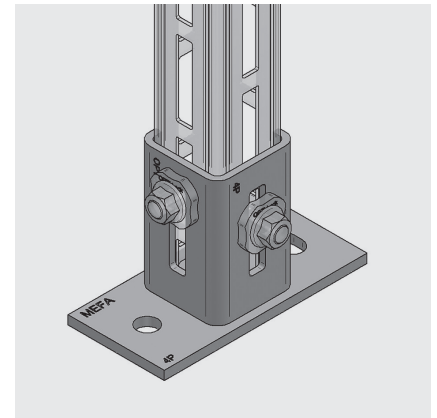
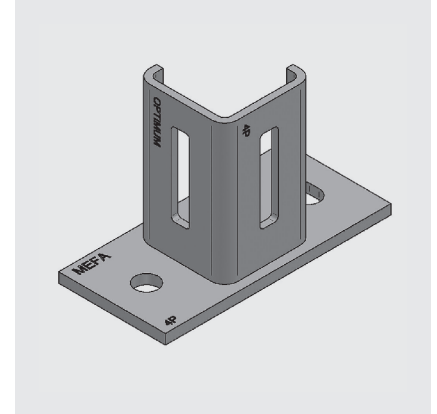
Product Code: 60304

Description

TekSpan® Baseplate for 45mm profiles.
Bolt-down baseplate foot, for floor or wall mounting.

Technical Details

Pack Qty	1
Weight	0.674kg/pc
Material	Steel S235
Finish	Zinc Nickel
Profile size	45mm
Plate length	137mm
Plate width	65mm
Plate thickness	6mm
Slot size	11x50mm
Load Fx	6kN
Limited torque M _v	0.2kNm
Hole distance	95mm
Alignment of plate	Rectangular



Certifications



The complete system meets the requirements of standard EN 1090