

## TekSpan® Zynox 45 Thread Adaptor Bracket

Product Code: 60178 / 60179

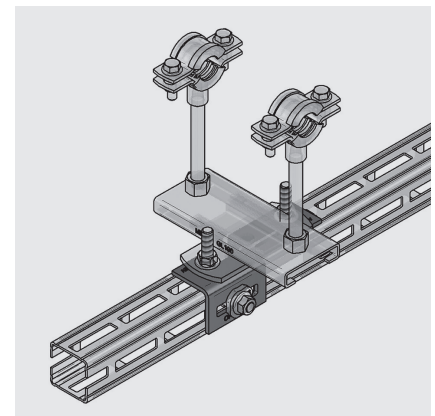
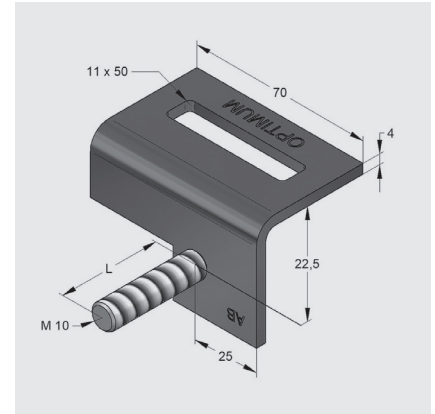
### Description

TekSpan® Zynox 45 Thread Adaptor Bracket.

For mounting on TekSpan Zynox 45 profile to make threaded connections.

### Technical Details

Product Code	60178	60179
Pack Qty	10	10
Weight	0.159kg/pc	0.171kg/pc
Material	Steel	Steel
Finish	Zinc-Nickel	Zinc-Nickel
Profile size	45mm	45mm
Slot size	11x50mm	11x50mm
Thread	M10	M10
Thread length	20mm	40mm
Length	70mm	70mm
Tightening torque bolt	10Nm	10Nm
Load Fx	6kN	6kN
Load Fz	9kN	9kN
Thickness	4mm	4mm



### Certifications



The complete system meets the requirements of standard EN 1090