

## TekSpan® Zynox 45 2-Hole Wing Angle Bracket

Product Code: 60236

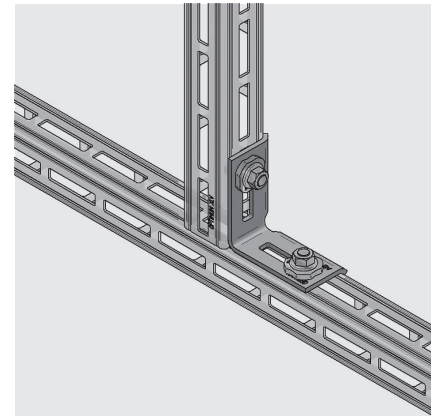
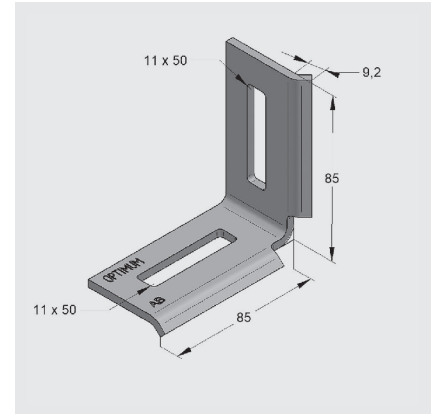
### Description

TekSpan® Zynox 45 90° 2 Hole Wing Angle Bracket

Two hole 90° wing angle bracket, for mounting 45mm profiles at right angles.

### Technical Details

Pack Qty	1
Weight	0.192kg/pc
Material	Steel
Finish	Zinc Nickel
Profile size	45mm
Length wing 1	85mm
Length wing 2	85mm
Width	45mm
Material thickness	4mm
Slot size	11x50mm
Load Fz	2kN
Angle	90°



### Certifications



The complete system meets the requirements of standard EN 1090