

TekSpan® Zynox 45 3-Hole Wing Horizontal Angle Bracket

Product Code: 60238

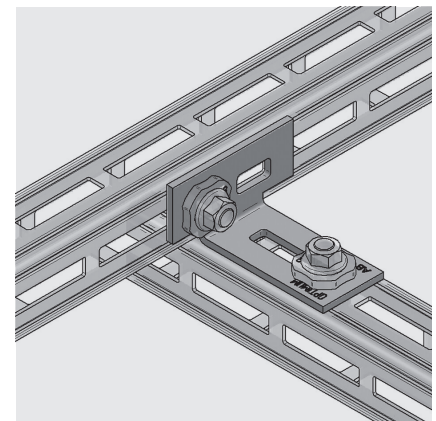
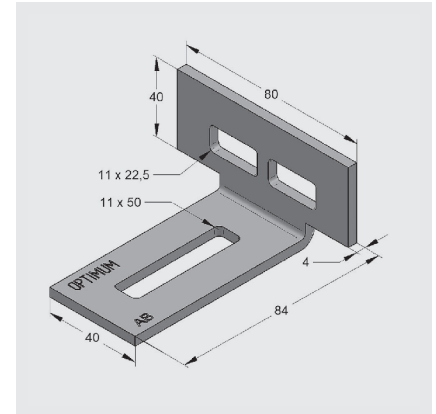
Description

TekSpan® Zynox 45 90° 3 Hole Wing Horizontal Angle Bracket

Three hole 90° wing horizontal angle bracket, for mounting 45mm profiles at right angles with longitudinal adjustment when installing.

Technical Details

Pack Qty	1
Weight	0.165kg/pc
Material	Steel
Finish	Zinc Nickel
Profile size	45mm
Length wing 1	80mm
Length wing 2	40mm
Material thickness	4mm
Slot size	11x50mm
Load Fz	3kN
Angle	90°



Certifications



The complete system meets the requirements of standard EN 1090