

TekSpan® Zynox 45 Cross Plate for 45mm Profile

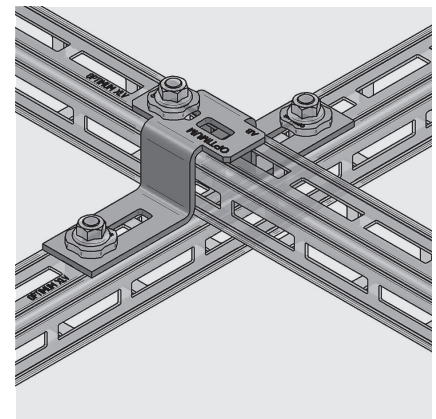
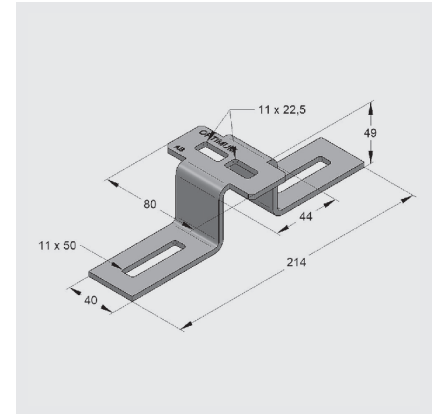
Product Code: 60289

Description

TekSpan® Zynox 45 Cross Plates for 45mm profile
Cross plate brackets for connecting TekSpan® Zynox 45 frame profiles as cross-members.

Technical Details

Pack Qty	1
Weight	0.368kg/pc
Material	Steel
Finish	Zinc Nickel
Profile size	45mm
Height	49mm
Length	214mm
Width material	40mm
Material thickness	4mm
Slot size	11x50mm
Load Fz	2.5kN



Certifications



The complete system meets the requirements of standard EN 1090