

## TekSpan® Zynox 45 3D Connector for 45mm Profile

Product Code: 60334

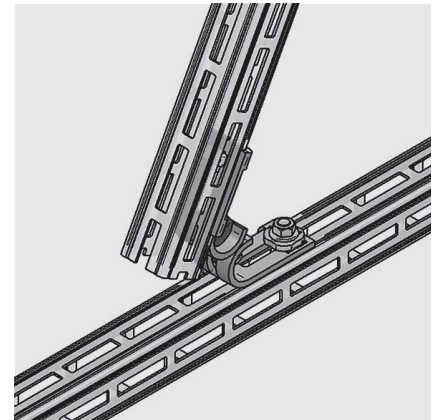
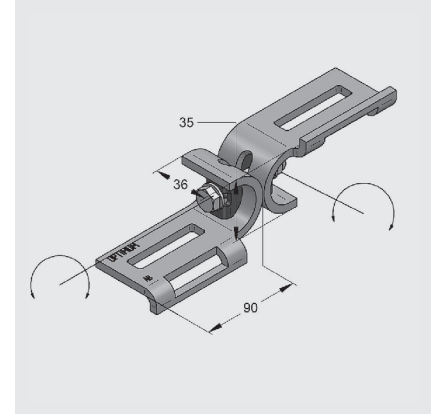
### Description

TekSpan® Zynox 45 3 Dimensional Connector for 45mm Profile

Universal joint connection that enables the connection of Zynox 45 profiles at vertically any angle.

### Technical Details

Pack Qty	1
Weight	0.418kg/pc
Material	Steel
Finish	Zinc Nickel
Profile size	45mm
Length wing 1	90mm
Length wing 2	90mm
Width material	36mm
Material thickness	5mm
Slot size	11x50mm
Load Fz	3kN
Angle $\beta$	80 - 280°



### Certifications



The complete system meets the requirements of standard EN 1090