

TekSpan® Beam Connector Clamp

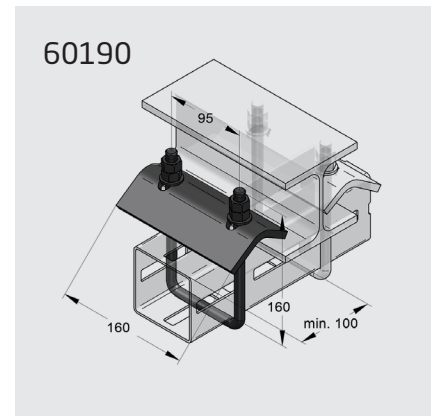
Product Code: 60190 / 60195

Description

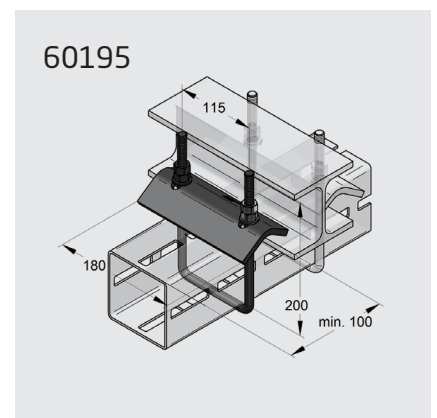
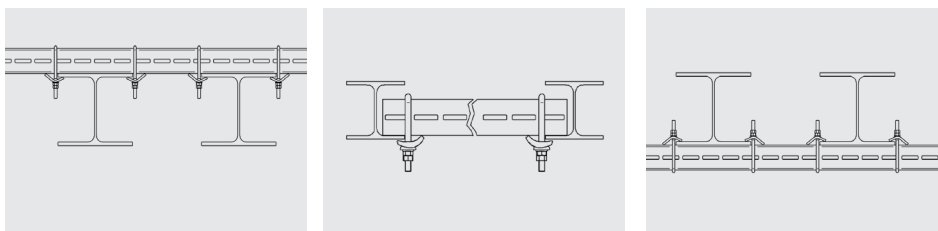
TekSpan® Beam Connector Clamp for 80mm & 100mm Profile.
 Beam connector clamp, for securing TekSpan® profiles to I-beams and girders.
 Must be installed in pairs as per examples below.

Technical Details

Product Code	60190	60195
Pack Qty	1	1
Weight	1.30kg/pc	1.49kg/pc
Material	Steel S235	Steel S235
Profile type	80mm	100mm
Load Fx	3kN	3kN
Load Fy	3kN	3kN
Load Fz	10kN	10kN
Thread	M12	M12
Max clamping thickness	25mm	25mm
Tightening torque	25Nm	25Nm



Configurations



Certifications

