

## TekSpan® Holder Plate

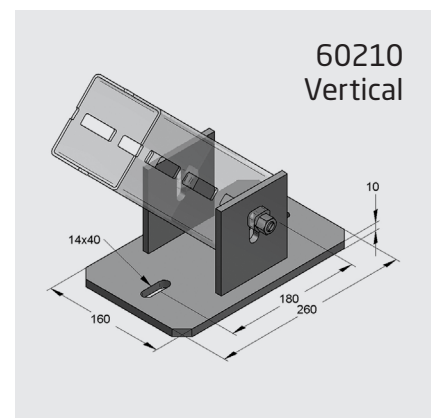
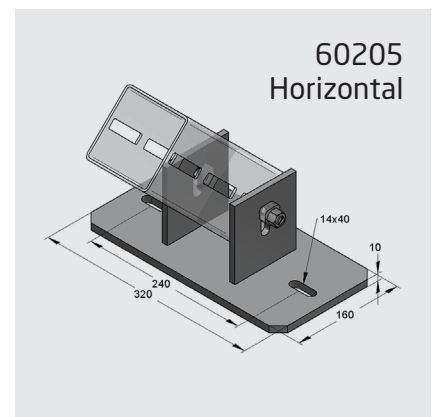
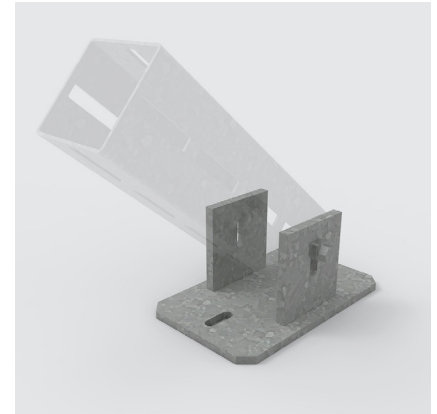
Product Code: 60200 / 60205 / 60210

### Description

TekSpan® Horizontal and Vertical Holder Plates - for 80mm and 100mm profiles.  
Holder plate for mounting frames, with the facility to support angled connections.

### Technical Details

Product Code	60200	60205	60210
Orientation	Vertical	Horizontal	Vertical
Pack Qty	1	1	1
Weight	4.20kg/pc	5.72kg/pc	4.89kg/pc
Material	Steel S235	Steel S235	Steel S235
Finish	HDG	HDG	HDG
Profile type	80mm	100mm	100mm
Width plate	140mm	320mm	160mm
Length plate	260mm	160mm	260mm
Overall height	120mm	120mm	120mm
Thickness	10mm	10mm	10mm
Slot size	14x40mm	14x40mm	14x40mm
Load Fx	11kN	11kN	11kN
Load Fy	11kN	11kN	11kN
Load Fz	20kN	20kN	20kN
Tightening torque	60Nm	60Nm	60Nm
Angle	90°	90°	90°



### Certifications

