

TekSpan® 2-Hole Angle Bracket

Product Code: 60240

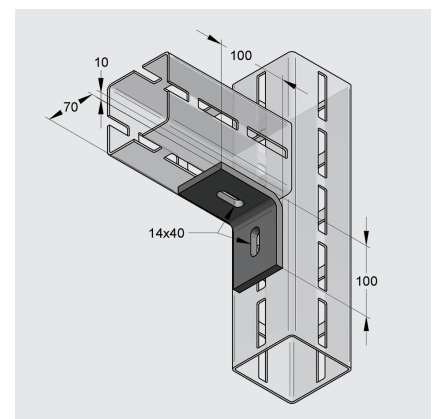
Description

TekSpan® 90° 2 Hole Angle Bracket

Two hole 90° angle bracket, for mounting 80mm profiles at right angles.

Technical Details

Pack Qty	1
Weight	1.02kg/pc
Material	Steel S235
Finish	HDG
Profile type	80mm
Length wing 1	100mm
Length wing 2	100mm
Width	70mm
Material thickness	8mm
Slot size	14x40mm
Load Fx	5.2kN
Load Fz	8.0kN
Limited torque	0.4kNm
Angle	90°



Certifications

