

TekSpan® Corner Plates

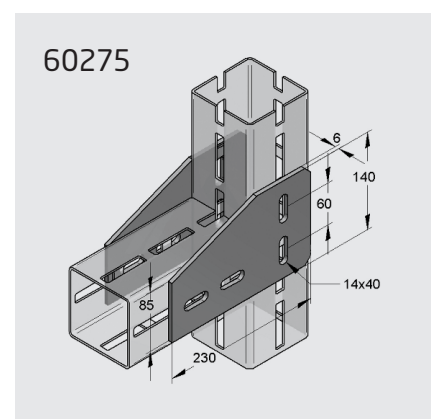
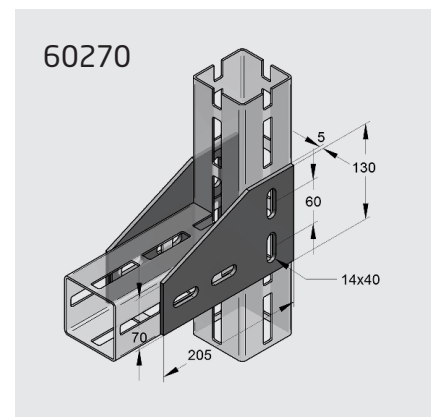
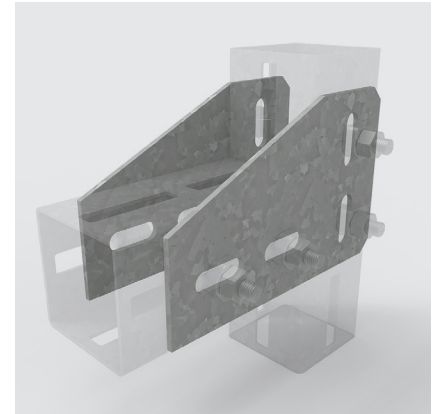
Product Code: 60270 / 60275

Description

TekSpan® Corner Plates for 80mm and 100mm profiles. Use in pairs.
Corner plate brackets, for face-fixing of a 90° horizontal joint.

Technical Details

Product Code	60270	60275
Pack Qty	1 Pair	1 Pair
Weight	1.84kg/pr	2.76kg/pr
Material	Steel S235	Steel S235
Finish	HDG	HDG
Profile type	80mm	100mm
Width	130mm	140mm
Length	205mm	230mm
Thickness	5mm	6mm
Slot size	14x40mm	14x40mm
Load Fx	32kN	40kN
Load Fz	32kN	40kN
Limited torque	0.95kNm	1.2kNm



Certifications

