

TekSpan® Cross Plates

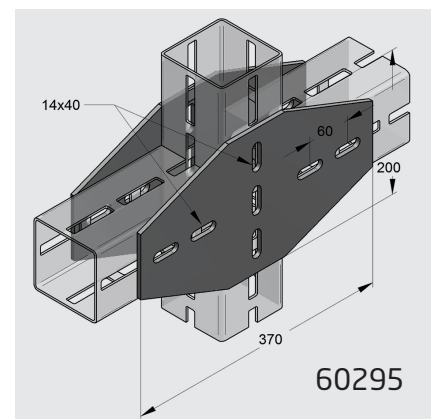
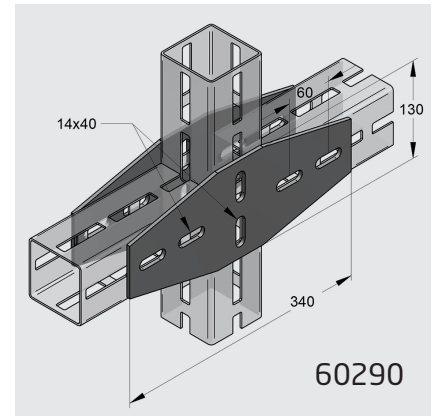
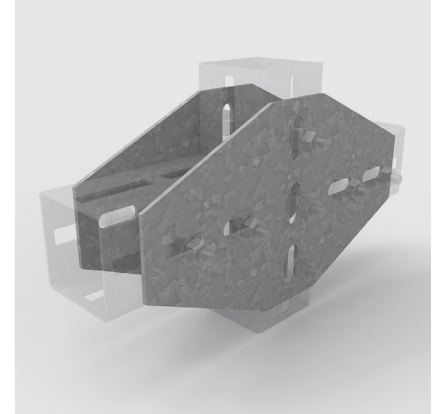
Product Code: 60290 / 60295

Description

TekSpan® Cross Plates for 80mm and 100mm profiles. Use in pairs.
Cross plate brackets for connecting TekSpan® frame profiles as cross-members.

Technical Details

Product Code	60290	60295
Pack Qty	1 Pair	1 Pair
Weight	2.94kg/pr	5.78kg/pr
Material	Steel S235	Steel S235
Finish	HDG	HDG
Profile type	80mm	100mm
Width	130mm	200mm
Length	340mm	370mm
Thickness	5mm	6mm
Slot size	14x40mm	14x40mm
Load Fx	32kN	40kN
Load Fz	32kN	40kN
Limited torque	0.95kNm	1.2kNm



Certifications

