

TekSpan® Baseplate

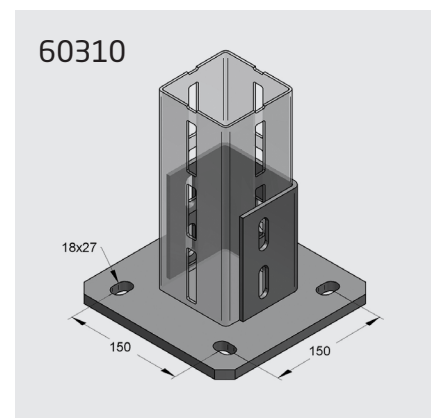
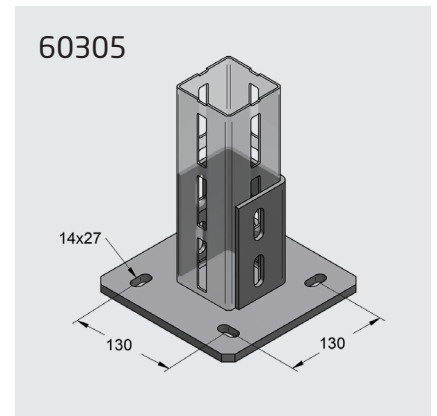
Product Code: 60305 / 60310

Description

TekSpan® Baseplate for 80mm and 100mm profiles.
Bolt-down baseplate foot, for floor or wall mounting.

Technical Details

Product Code	60305	60310
Pack Qty	1	1
Weight	4.48kg/pc	6.15kg/pc
Material	Steel S235	Steel S235
Finish	HDG	HDG
Profile type	80mm	100mm
Plate length	200mm	220mm
Plate width	200mm	220mm
Plate thickness	10mm	12mm
Slot size	14x27mm	18x27mm
Load Fx	24kN	30kN
Hole distance	130mm	150mm
Alignment of plate	Square	Square



Certifications

