

TekSpan® Connector Set

Product Code: 60335

Description

TekSpan® Connector Set

Two piece in-line jointing set for all TekSpan® frame profile sizes.

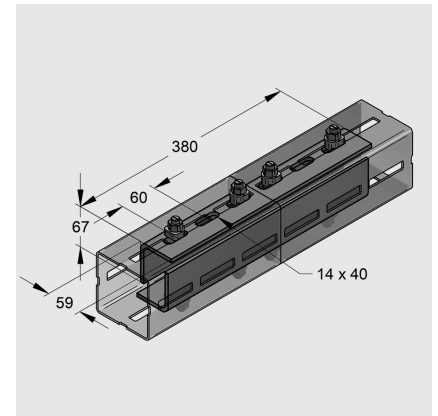
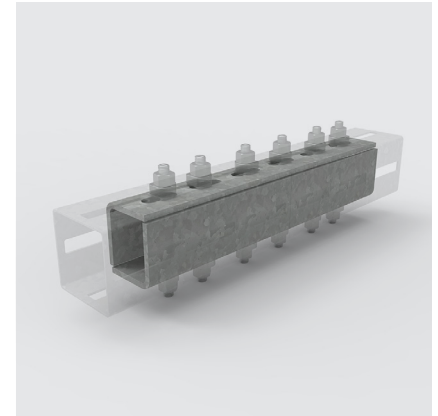
Pack Contains

2x Steel Profile Connectors

8x T-Lock Bolts

Technical Details

Pack Qty	1
Weight	5.28kg/pc
Material	Steel S235
Finish Steel Profiles	HDG
Finish Bolts	Zinc-Nickel
Profile type	80mm / 100mm
Width	67mm
Height	59mm
Length	380mm
Tightening torque	120Nm
Slot size	14x40mm
Limited torque 80mm profile at screw position top/bottom	1.25kNm
Limited torque 80mm profile at screw position left/right	0.85kNm
Limited torque 100mm profile at screw position top/bottom	2.50kNm
Limited torque 100mm profile at screw position left/right	1.35kNm



Certifications

