

TekSpan® Anchor Adapter Ring

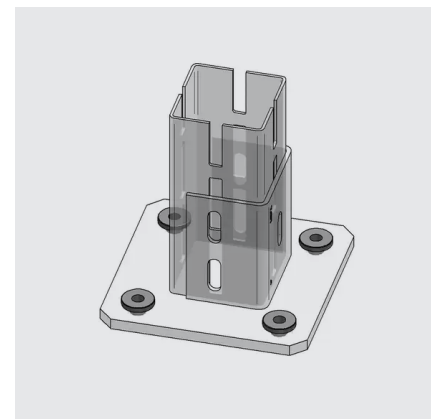
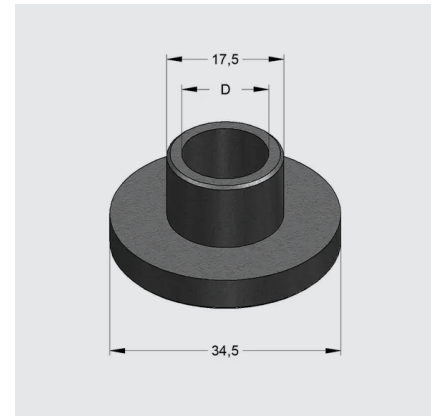
Product Code: 60340

Description

Stepdown Anchor Adapter Ring M16-M12. Ring insert for baseplate feet, to enable M12 fixings to be used with 100mm base plate feet.

Technical Details

Pack Qty	50
Weight	0.0438kg/st
Material	Steel
Finish	Zinc-Nickel
Inner diameter	13mm
Outer diameter	17.5mm
Height	16.5mm
Width	34.5mm
Profile types	100mm



Certifications

