

TekSpan® Threaded Boss Plate

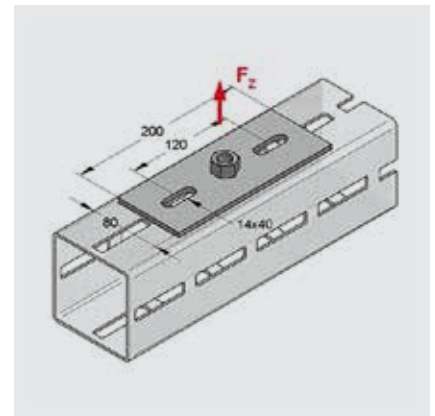
Product Code: 60165 / 60170

Description

TekSpan® Threaded Boss Plate for 80mm and 100mm profiles.
For mounting on TekSpan profile to make threaded connections.

Technical Details

Product Code	60165	60170
Pack Qty	1	1
Weight	0.76kg/pc	0.79kg/pc
Material	Steel S235	Steel S235
Finish	Zinc-Nickel	Zinc-Nickel
Profile type	80mm / 100mm	80mm / 100mm
Connection	M12	M16
Height	16mm	16mm
Length	200mm	200mm
Width	80mm	80mm
Plate Thickness	6mm	6mm
Slot size	14x40mm	14x40mm
Load Fz	5.5kN	5.5kN



Certifications

