

TekSpan® Thread Connector

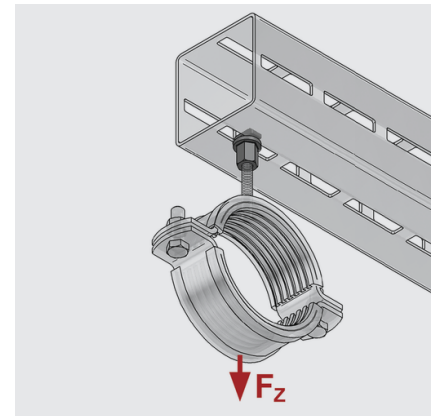
Product Code: 60160 / 60175

Description

Frame to threaded rod connector with female thread socket.
For direct fixing of M10 and M12 rods and suspension of threaded fasteners.

Technical Details

Product Code	60160	60175
Pack Qty	50	50
Weight	0.0714kg/pc	0.0694kg/pc
Material	Steel	Steel
Finish	Zinc-Nickel	Zinc-Nickel
Profile types	80mm / 100mm	80mm / 100mm
Thread	M10	M12
Wrench size	17	17
Height collar nut	25mm	25mm
Tightening torque	25Nm	25Nm
Load Fz	3kN	3kN



Certifications

