

## TekSpan® 3-Hole Angle Bracket

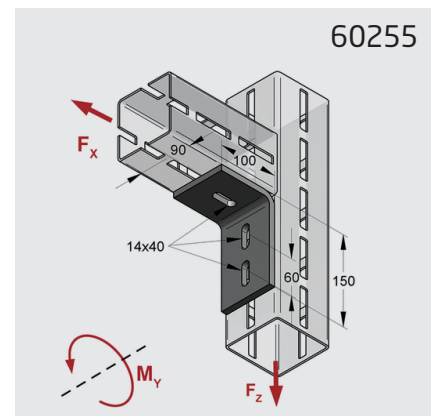
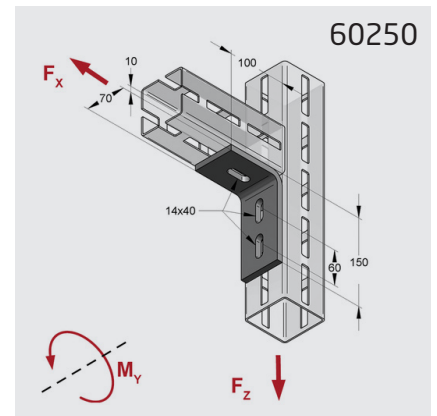
Product Code: 60250 / 60255

### Description

TekSpan® 90° 3 Hole Angle Bracket for 80mm and 100mm profiles.  
Angle bracket for mounting profiles at right angles with extra load bearing.

### Technical Details

Product Code	60250	60255
Pack Qty	1	1
Weight	1.28kg/pc	1.68kg/pc
Material	Steel S235	Steel S235
Finish	HDG	HDG
Profile type	80mm	100mm
Length wing 1	150mm	150mm
Length wing 2	100mm	100mm
Width	70mm	90mm
Material thickness	10mm	10mm
Slot size	14x40mm	14x40mm
Load Fx	5.2kN	6.0kN
Load Fz	16.0kN	20.0kN
Limited torque My	0.4kNm	0.5kNm
Angle	90°	90°



### Certifications

