

## TekSpan® Cross Plates

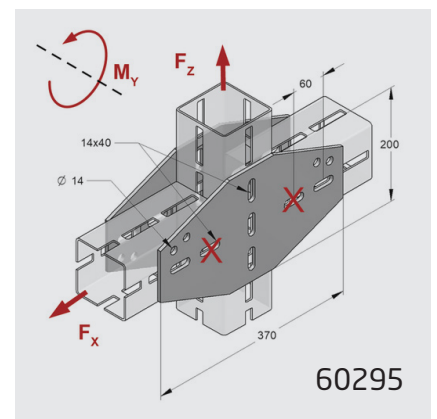
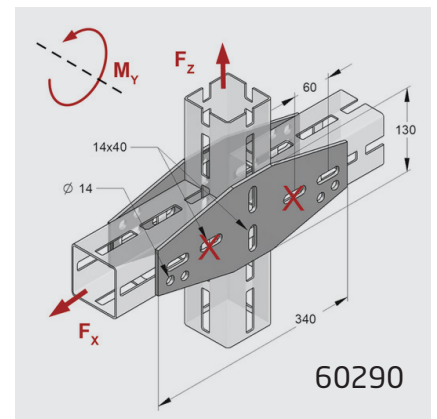
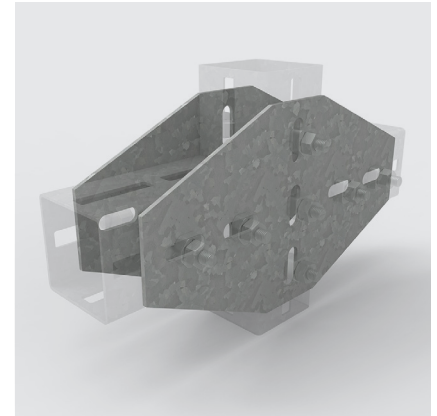
Product Code: 60290 / 60295

### Description

TekSpan® Cross Plates for 80mm and 100mm profiles. Use in pairs.  
Cross plate brackets for connecting TekSpan® frame profiles as cross-members.

### Technical Details

Product Code	60290	60295
Pack Qty	1 Pair	1 Pair
Weight	2.94kg/pr	5.78kg/pr
Material	Steel S235	Steel S235
Finish	HDG	HDG
Profile type	80mm	100mm
Width	130mm	200mm
Length	340mm	370mm
Thickness	5mm	6mm
Slot size	14x40mm	14x40mm
Load $F_x$	32kN	40kN
Load $F_z$	32kN	40kN
Limited torque $M_y$	0.95kNm	1.2kNm



### Certifications

